

中联重科

ZMC300G

Mobile Cone Crusher

最大给料粒度： 210 mm

处理能力： 320 t/h

装机功率： 321 kW



ZOOMLION

颜色组合已取得注册商标保护

ZMC300G 履带移动圆锥式破碎站

产品简介

Product Introduction

Hydraulic automatic adjustment of discharge port of cone crushing can easily ensure the accurate size of products.

ZMC 300G

The return screen of mobile cone crusher adopts high-power vibration motor, lightweight design and large tilt angle arrangement, the vibration amplitude generated by the return is large, so the processing capacity is larger.

ZCF 300

320t/h

210mm

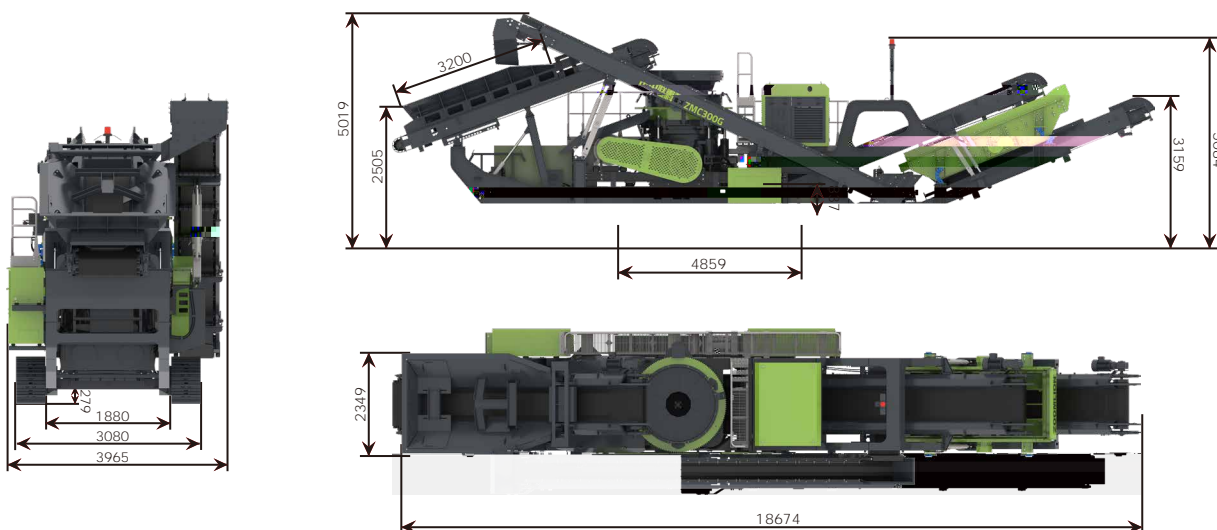
The max capacity of ZMC300G Mobile Cone Crusher, made by ZOOMLION, is 320t/h, and the max feeding grain size is 210mm.

The core components are provided by industry-leading manufacturers which guarantees the reliability of ZMC300G mobile cone crusher.

整车尺寸参数

mm

Vehicle Size Marking



整车性能参数

Vehicle Performance Marking

Main Parameters		Unit	Value	
Capacity		t/h	115-320	
Max. Feeding Size		mm	210	
x	Main Conveyor Width x Length	mm	B1000x12500	
Discharge Height		mm	3300	
Crushing Device Power		kW	250	
Engine Power		kW	103	
x	x	Transport Size Width x Length x Height	m	18.05x3.72x3.97
Total Weight		t	55	
Power Type		\		

